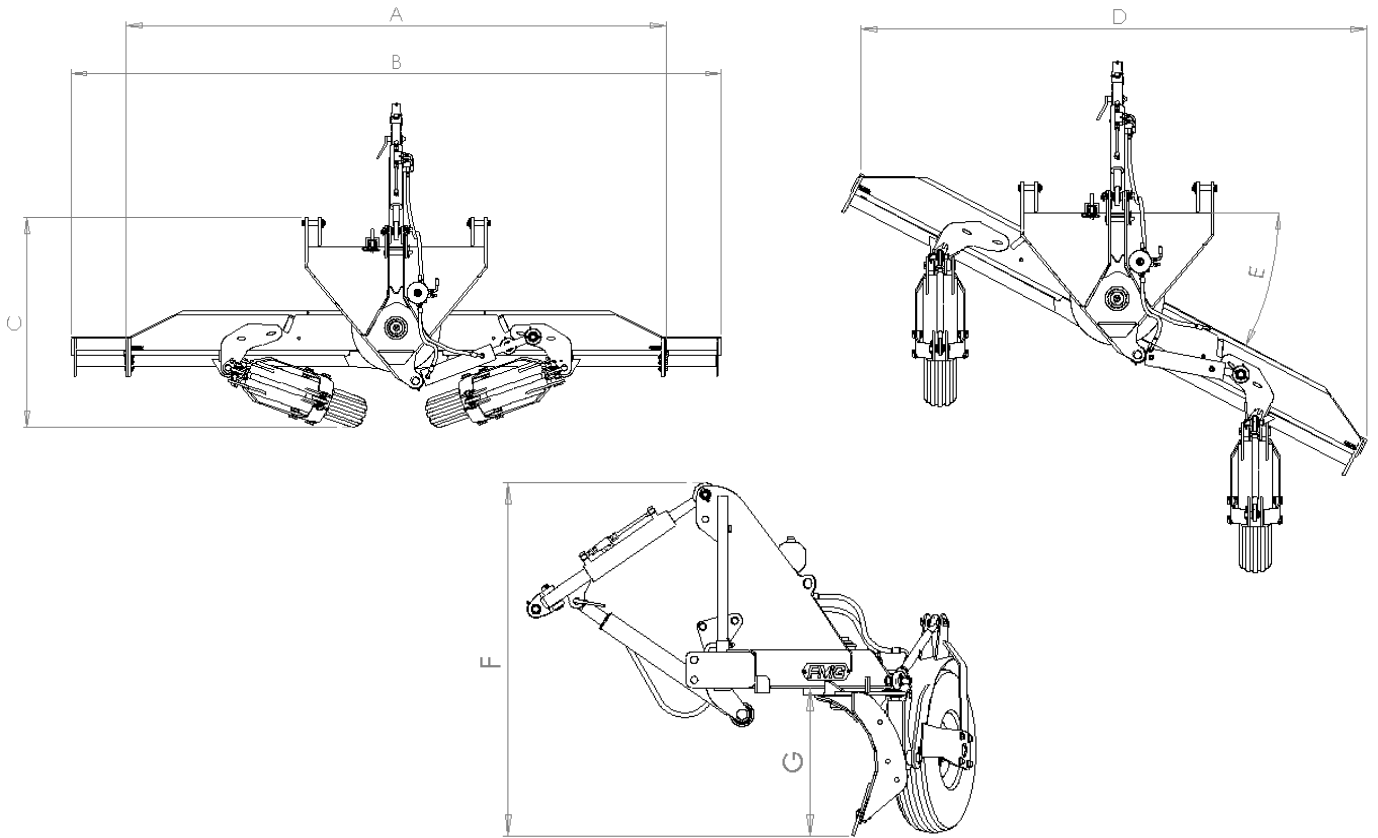


SCRAPER



Model		RAP245	RAP275	RAP300	RAP300HD
Working width (cm)	A	244	275	305	305
Working width with extensions (cm)	B	305	336	366	395
Length (cm)	C	118	118	118	175
Working width when scraper is turned (cm)	D	215	243	270	270
Turning angle \pm ($^{\circ}$)	E	28	28	28	27
Height (cm)	F	143	143	143	146
Height of the wing (cm)	G	60	60	60	70
Weight (kg) (varies by optional equipment)		640	650	730	1200