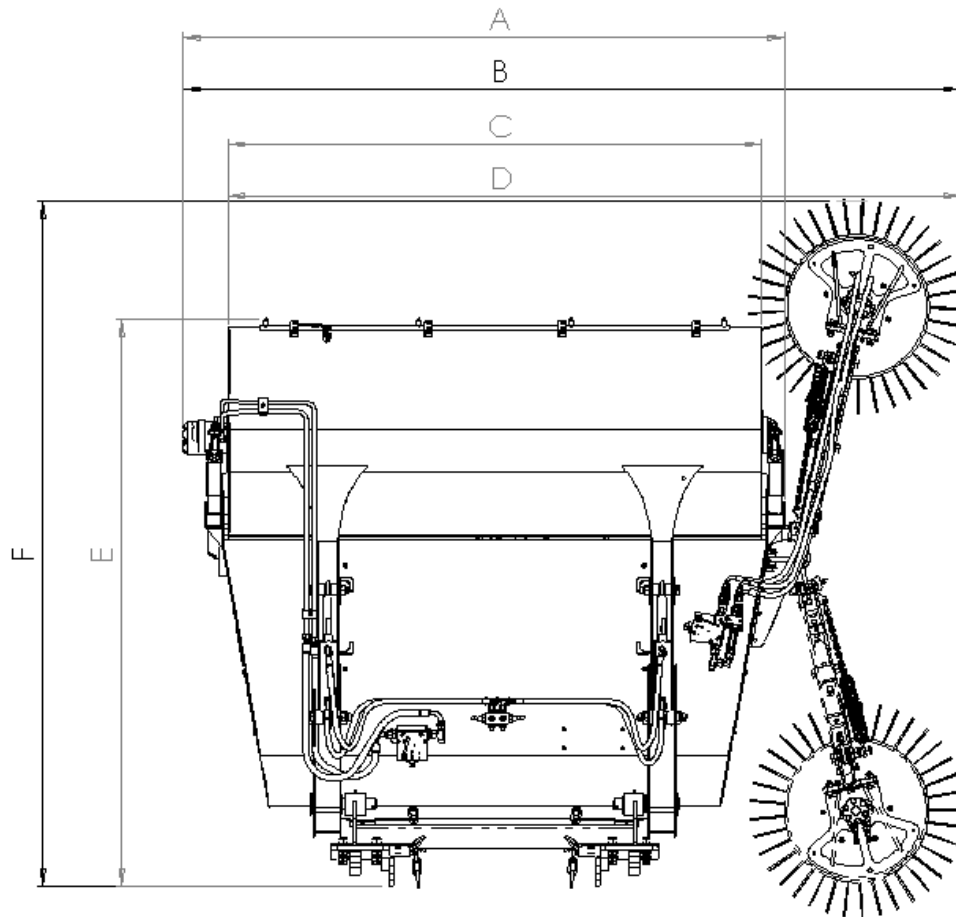


BUCKET SWEEPER



Model		KH160L	KH160L -90	KH160- 90	KH200- 90	KH240- 90	KH260- 90
Width (cm)	A	184	187	185	225	270	290
Width with side brush (cm)	B	-	-	250	290	335	355
Working width (cm)	C	160	160	160	200	240	260
Working width with side brush (cm)	D	-	-	235	275	315	335
Length (cm)	E	180	188	232	232	232	232
Length with side brush (cm)	F	-	-	265	265	265	265
Brush size (cm)		70	90	90	90	90	90
Height (cm)		88	100	116	116	116	116
Full bucket volume (l)		470	470	845	1100	1300	1460
Volume when brushing (l)		260	260	460	600	740	800
Weight (kg) (varies by optional equipment)		440	480	570	800	895	990