

FMG Oy

Levytie 4
74510 Iisalmi
Tel 020 1984 020

Gritting bucket
Hiekoituskauha
HK15, murska

Piir nro.

RC07156

Rev

B

Korvaa

Korvattu

| No. | Nimike | Nimitys | Description | Dimension | pcs |
|-----|----------|----------------------|-----------------|------------------------|-----|
| 1 | HK1501 | Runko | Frame | HK15 | 1 |
| 2 | HK0507 | Aluslatta | Plate | 5x40x350 | 4 |
| 3 | HK0508 | Aluslatta | Plate | 5x40x395 | 8 |
| 4 | HK1506 | Kumilatta | Rubber plate | 140x2315 | 2 |
| 5 | RC07143 | Levy | Plate | 2X499X848 | 1 |
| 6 | RC07146 | Akseli | Shaft | 25-2620 | 1 |
| 7 | RC07144 | Tela | Roller | HKM15,20 | 1 |
| 8 | RC07147 | Sekoitin akseli | Mixing axle | 800 mm | 2 |
| 9 | HK050204 | Moottorin laippa | Flange | 10x158x197 | 1 |
| 10 | RC06014 | Ketjukotelo | Chain cover | | 1 |
| 11 | RC06045 | Ritilä | Net | HK15, HK20 | 1 |
| 12 | RC07149 | Sekoitin akseli | Mixing axle | 894 mm | 1 |
| 13 | 14018 | Pystylaakeriyksikkö | Bearing | UCP208 FK | 2 |
| 14 | 14006 | Laippalaakeri | Bearing | UCFL205 | 2 |
| 15 | HK050501 | Ketjupyörä | Chain gear | 5/8 x 3/8 Z=15 | 3 |
| 16 | RC07535 | Ketju | Chain | 10B-1 728mm 45 lenkkiä | 1 |
| 17 | RC07345 | Ketju | Chain | 10B-1 920mm | 1 |
| 18 | 22058 | Tasakiila | Parallel key | C 8x7x30 | 2 |
| 19 | 11556 | Hydraulimoottori | Hydraulic motor | EPM-315-CD | 1 |
| 20 | 23039 | Määränsäätöventtiili | Control valve | PD34V R3/4 | 1 |
| 21 | 20063 | Kuusioruuvi | Hex screw | M14x40 DIN 933 | 14 |
| 22 | 20054 | Kuusioruuvi | Hex screw | M12x25 DIN 933 | 2 |
| 23 | 20097 | Kuusioruuvi | Hex screw | M6x60 DIN 931 | 2 |
| 24 | 10041 | Lukitusmutteri | Lock nut | M6 DIN 985 | 2 |
| 25 | 20101 | Kuusioruuvi | Hex screw | M8x30 DIN 933 | 3 |
| 26 | 10020 | Korilaatta | Washer | M10x30 DIN440 | 24 |
| 27 | 10024 | Korilaatta | Washer | M8x40 DIN440 | 3 |
| 28 | 10004 | Aluslevy | Washer | M12 DIN125 A12 | 2 |
| 29 | 10005 | Aluslevy | Washer | M14 DIN125 A14 | 19 |
| 30 | 10032 | Lukitusmutteri | Lock nut | M14 DIN 985 | 10 |
| 31 | 21024 | Tiiviste | Seal ring | USIT R1/2 | 4 |
| 32 | 21022 | Tiiviste | Seal ring | USIT R3/4 | 3 |
| 33 | 17129 | T-nippa | T-nipple | R1/2 U-U-U | 1 |
| 34 | 17144 | Yhdysnippa | Nipple | R3/4U-R1/2S | 1 |
| 35 | 17034 | Supistusnippa | Double nipple | R1-2_R3-4 | 2 |
| 36 | 17033 | Kaksoisnippa | Double nipple | R1-2 | 2 |
| 37 | 16026 | Letkuasennelma | Hose assembly | 08-R2T-2000-1/2S-1/2U | 2 |
| 38 | 16024 | Letkuasennelma | Hose assembly | 08-R2T-480-1/2S-1/2S90 | 1 |
| 39 | 16025 | Letkuasennelma | Hose assembly | 08-R2T-270-1/2S-1/2S | 1 |
| 40 | 20046 | Kuusioruuvi | Hex screw | M10x40 DIN 933 | 25 |
| 41 | 10002 | Aluslevy | Washer | M10 DIN125 A10 | 4 |
| 42 | 10028 | Lukitusmutteri | Lock nut | M10 DIN 985 | 1 |
| 43 | 20043 | Kuusioruuvi | Hex screw | M10x25 DIN 933 | 1 |
| 44 | 10014 | Aluslevy | Washer | M6 DIN125 A6 | 4 |
| 45 | 10070 | Hitsausmutteri | Hex nut | M12 | 1 |
| 46 | RC13208 | Levy | | 1x85x130 | 1 |

FMG Oy
Levytie 4
74510 Iisalmi
Tel 020 1984 020

Gritting bucket
Hiekoituskauha
HK15, murska

Piir nro.

RC07156

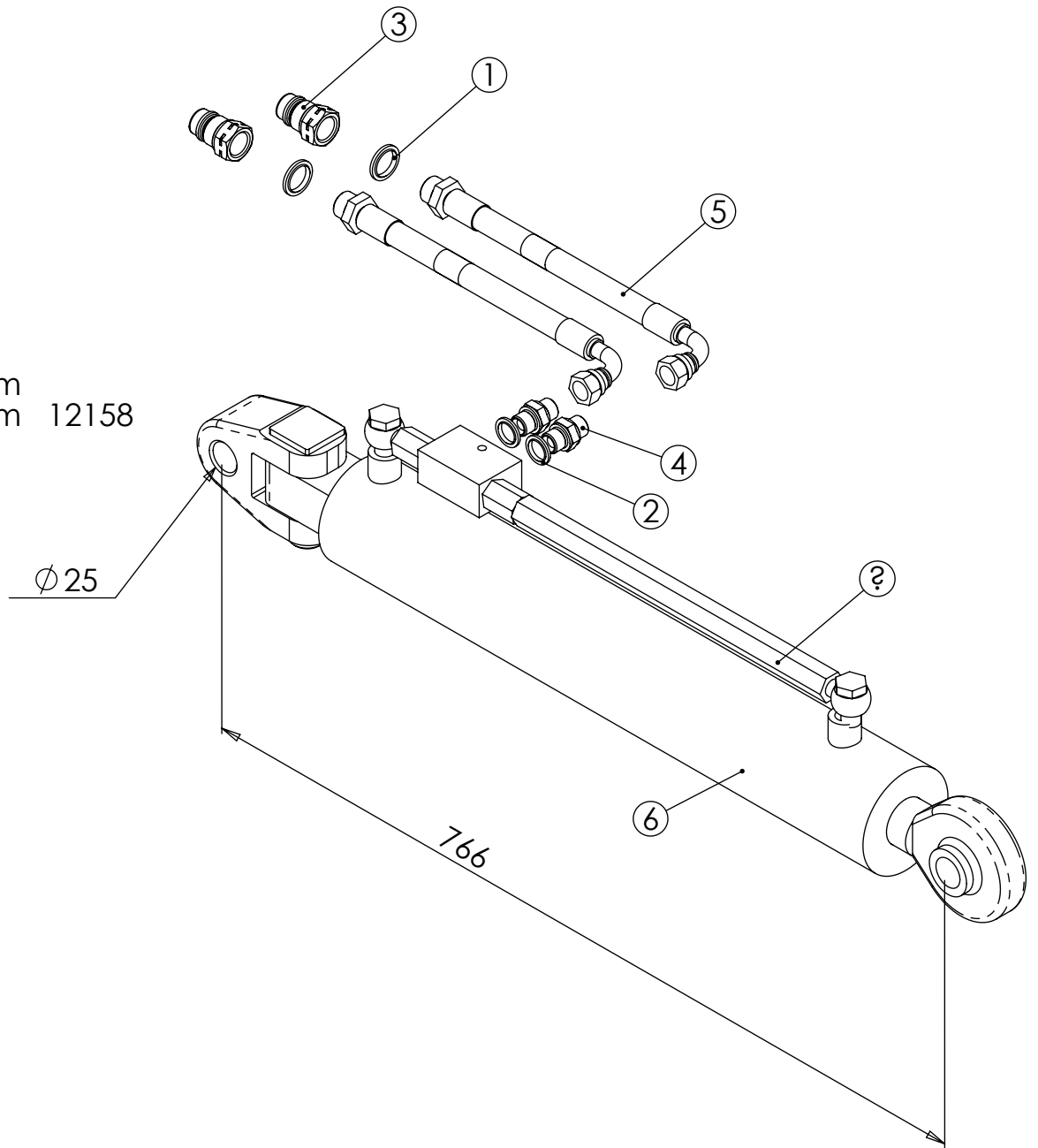
Korvaa

Korvattu

Rev

B

CAT2 25.4 mm
 CAT3 32,2 mm 12158



| Pos | Item | Nimitys | Description | Qty |
|-----|---------|----------------|---------------|-----|
| 1 | 21024 | Tiiviste | Seal ring | 2 |
| 2 | 21023 | Tiivisterengas | Seal ring | 2 |
| 3 | 17086 | Pikaliitin | Fast coupling | 2 |
| 4 | 17031 | Kaksoisnippa | Double nipple | 2 |
| 5 | 16130 | Letkuasennelma | Hose assembly | 2 |
| 6 | 11562 | Sylinteri | Push rods | 1 |
| 7 | LS01600 | Letkusetti | Hose assembly | 1 |

FMG Oy
 Levytie 4
 74510 Iisalmi
 Tel 020 1984 020

Working cylinder
 Työsylinteri
 HK15, HK20

Piir nro.

RC08587

Rev

Korvaa

Korvattu