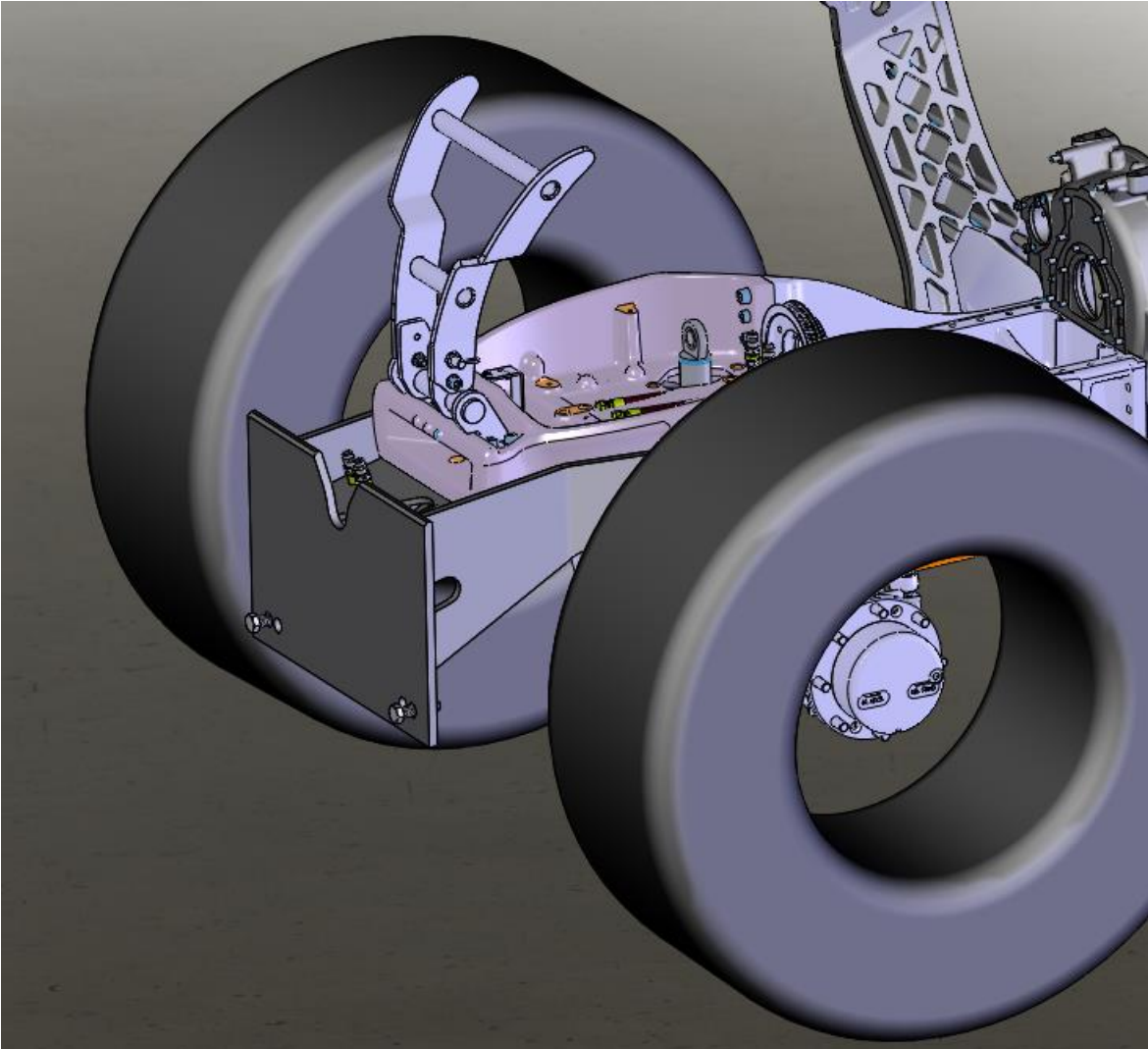
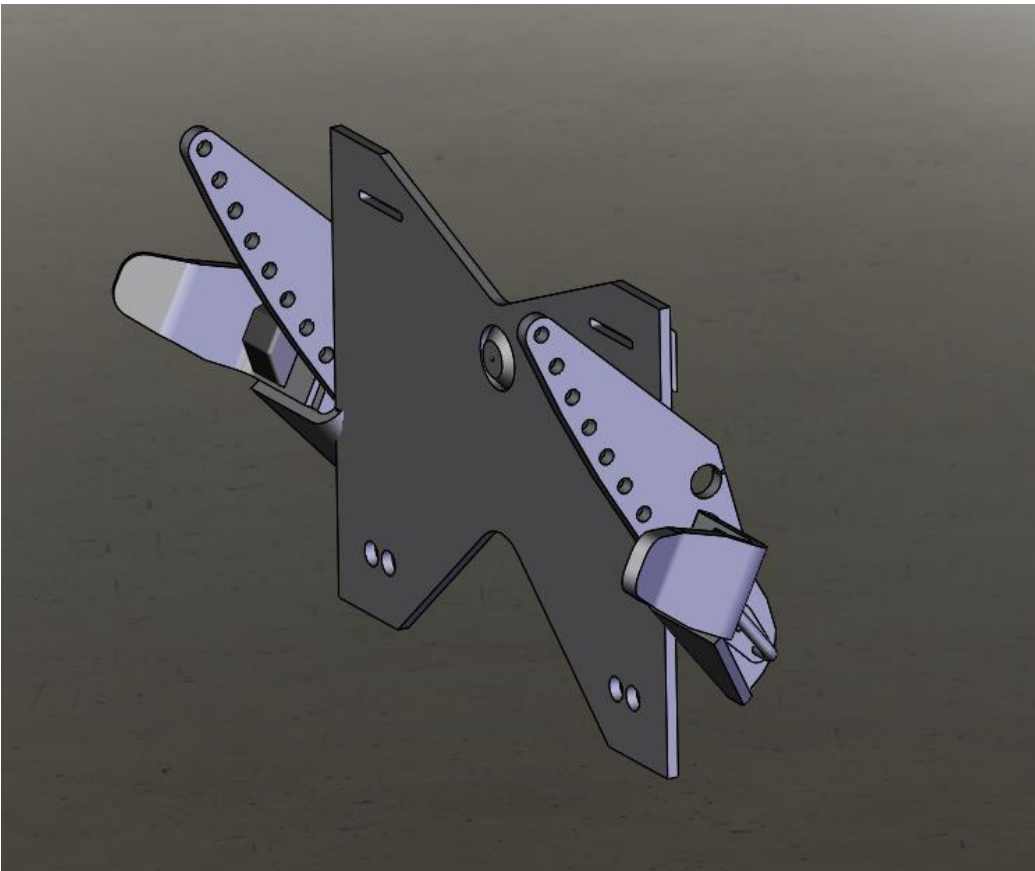


FIXED STAND TO FRAME OF TRACTOR



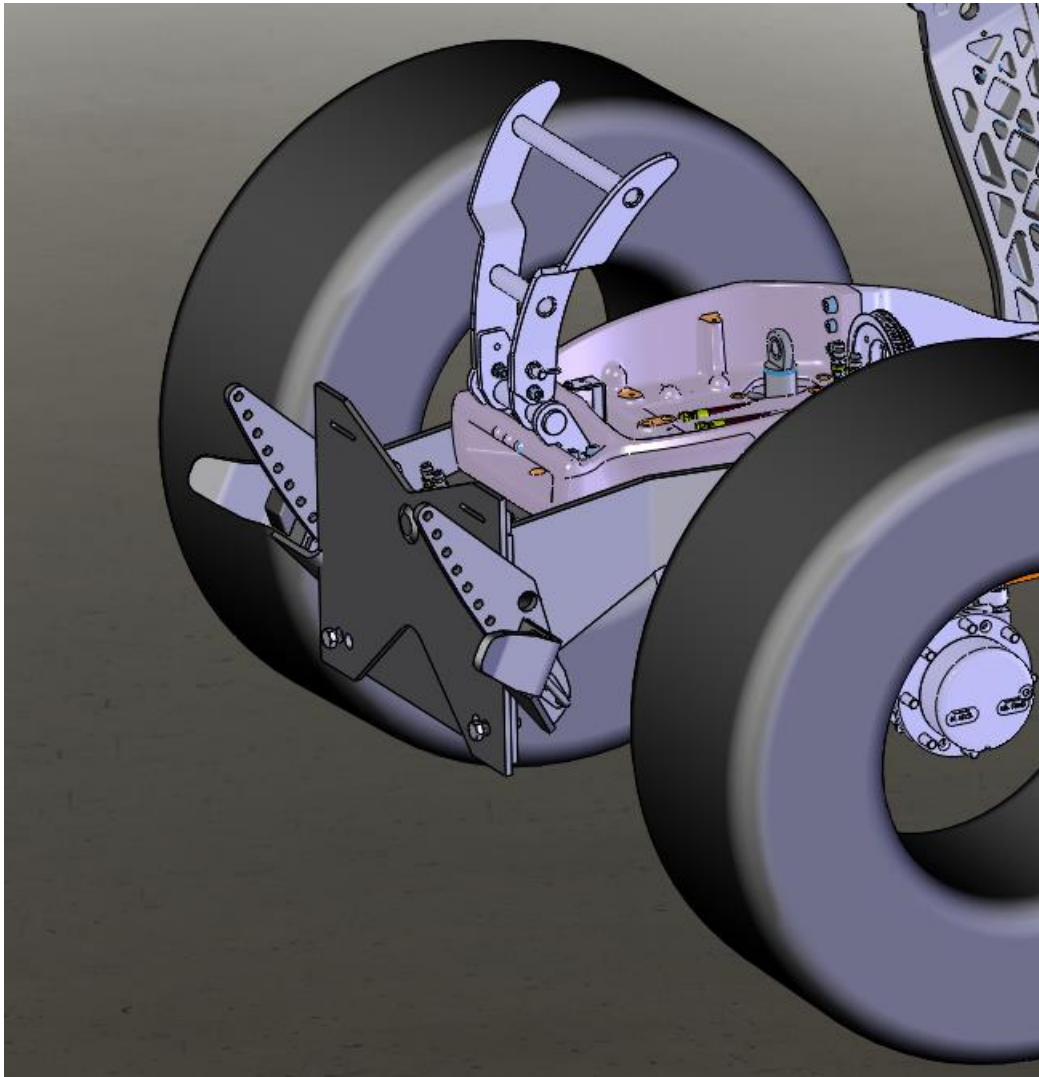
- Available for Valtra's N3, N4, N4 stage 5 and N5. Also T3,T4 and T5 series.
- Front lift or beam support is fixed to the stand

BEAM SUPPORT



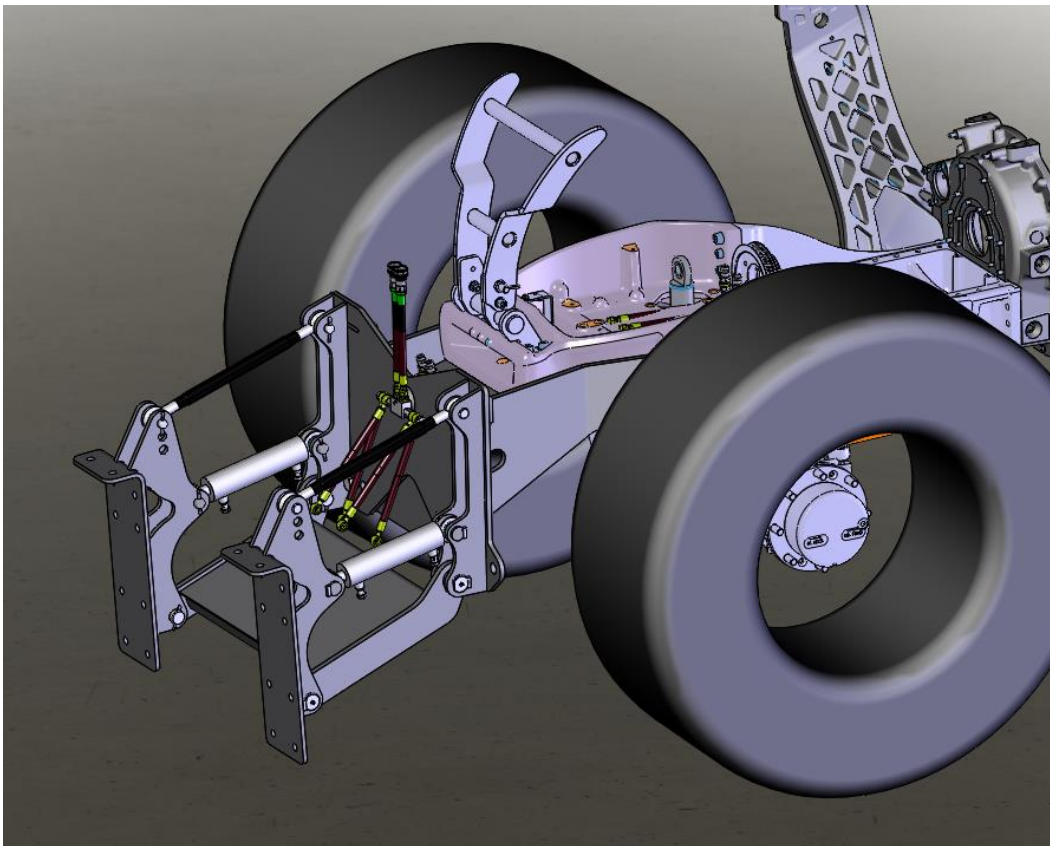
- **Strong construction**
- **Fixed near to the tractor**
- **Holds strongly the loader's arm, prevents moving of the beam down or to side**

FIXED STAND AND SUPPORT BEAM



Support beam is fixed to stand by hooks from above, fingers in centre and bolts from below.

FIXED STAND AND FRONT LIFT



- Torsionally rigid construction
- Removable front lift for ploughing or other front lift usage
- Equipment attachment without backlash
- Front lift is fixed to stand by hooks from above, fingers in centre and bolts from below.
- Available adapters to front lift EURO or 3-point linkage

